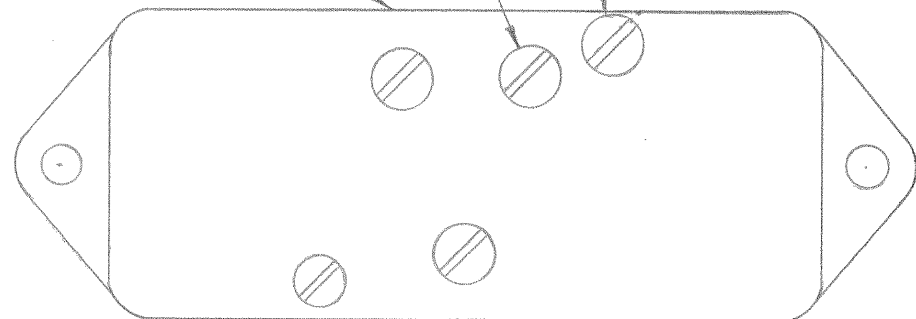


5/16 DIA SCREW DRIVER HOLES

UNIT WITH COVER ASSEMBLED

6-32 UNC-2A FILLISTER HEAD SCREW AND SPLIT LOCKWASHERS 2 PLACES



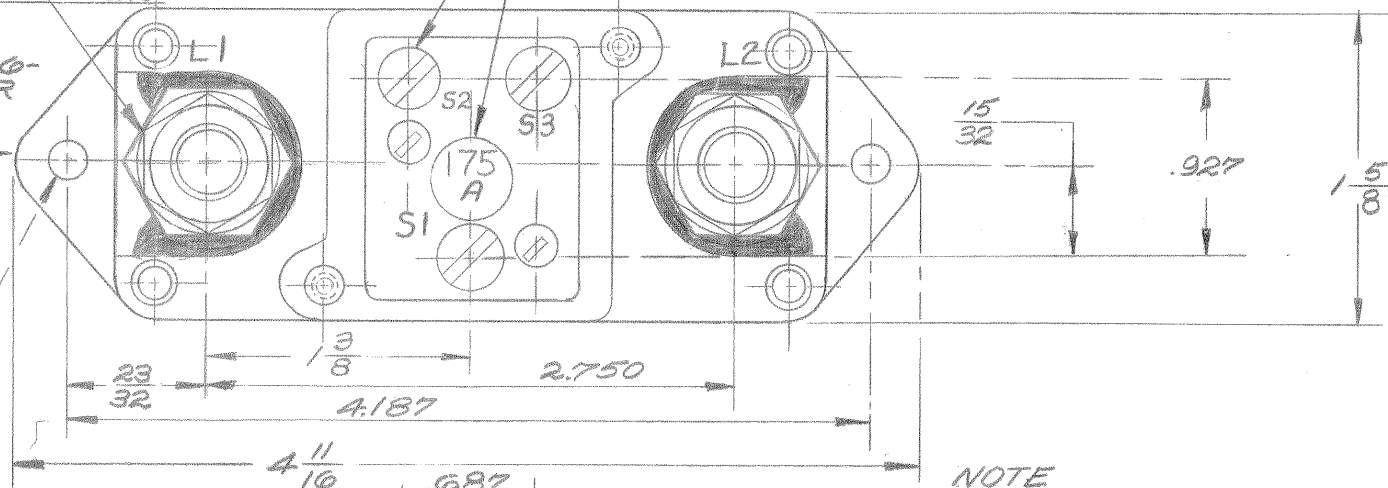
8-32 UNC-2A X 1/4 RD. HD. SCREWS WITH SPLIT LOCKWASHER & FLATWASHER

AMP RATING AS REQ'D 1/8 HIGH

LOAD TERMINALS SEE FIG 1 & 2

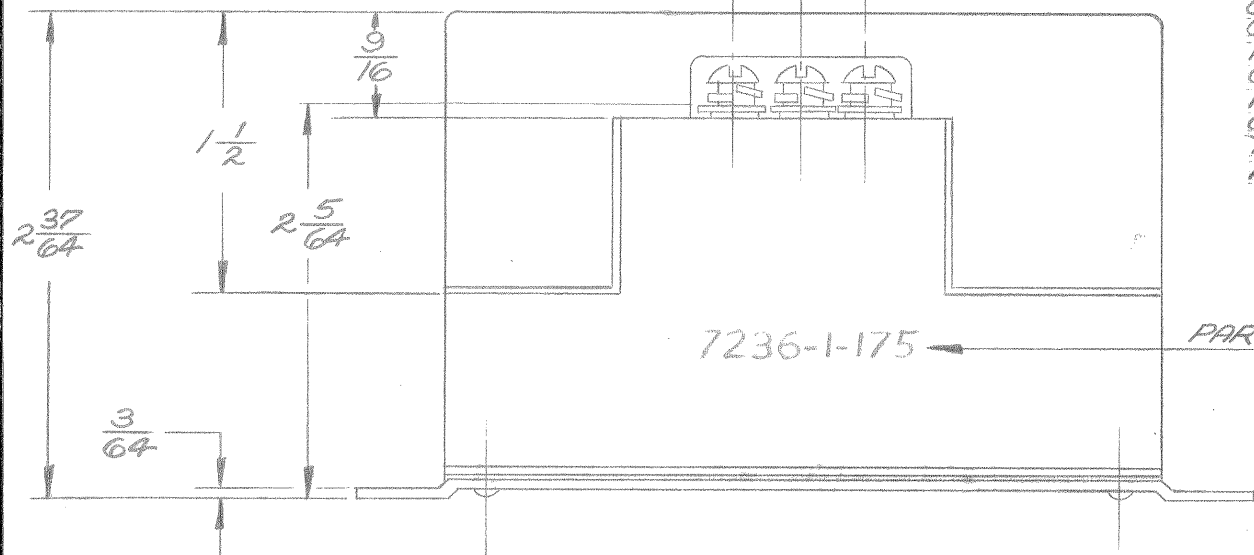
EXAMPLE OF D7236-1-175 WITH COVER REMOVED TO SHOW MARKINGS

1.005 .203 DIA. MOUNTING HOLES (2 PLACES)



NOTE

COVER PROVIDES SPACE FOR AN #59 COPPER CONNECTORS OR AIRCRAFT TYPE ALUMINUM CONNECTORS UP TO & INCLUDING THE FOLLOWING; ONE 1/4" CONNECTOR WITH 1/2 HEX NUT AND LOCKWASHER OR TWO 0" CONNECTORS STACKED BACK TO BACK WITH 1/2 HEX NUT AND LOCKWASHER.



PART NO. AS REQ'D

7236
DWG. NO.
B

SEE D.C.N. 7-14-87
CR 99692 O.K. REV
DELETE 1/8 HIGH FROM MARKING
5-19-97 CRM35102 RJM

REVISIONS			
SYMBOL	DESCRIPTION	DATE	APPROVAL
L	REDRAWN SER.C.N	4-15-60	J.D.M. D.A.
M2	WAS "S1 & S2" C.R. 4491 H.H.	2-16-61	D.A.
N	(1) ON-1 WIRING DIAGRAM WAS SK298 SH#1 (2) ON-1 WIRING DIAGRAM WAS SK298 SH#2 C.R. 1995 #4	10-4-62	R.F.
P	UNDER DESIGNED FOR USE W/MAN. CONTROL 7236-1 WAS "D6153-1" CR 56112 BC	11-7-74	R.C.F.
R	PICTURE CHANGE LINE TERMINAL CR 58016 O.K. R.L.F.	9-9-75	R.C.F.

PART NO.	DESIGNED FOR USE WITH MANUAL CONTROL	THIS UNIT IS EXPLOSION PROOF PER SPEC	INTERNAL RESISTANT BETWEEN S1 & S3	CONTACT RATING S1 & S2	CONTINUOUS CURRENT CAPACITY S1 & S3	SINGLE PHASE WIRING DIAGRAM	THREE PHASE WIRING DIAGRAM	REVISIONS	
								(M1)	(M2)
D7236-1-AMP RATING	3MC1-3-2	MIL-E-5272	0.75 Ω (R.O.N. S1, 298 SH#1 & S2)	10 AMPS 28VDC, 110VAC	3 AMPS	R98 SH#1	R98 SH#2		
D7236-2-AMP RATING		MIL-E-5272	0.5 Ω	10 AMPS 28VDC, 110VAC	10 AMPS				

3/8-24NF-2ASTUD NUT, LOCKWASHER & FLATWASHER (APPLIES TO 150, 175, 200, 250, 300 & 350 AMP RATING)

1/2-20NF-2ASTUD NUT, LOCKWASHER & FLATWASHER. (APPLIES TO 400 AMP RATING)

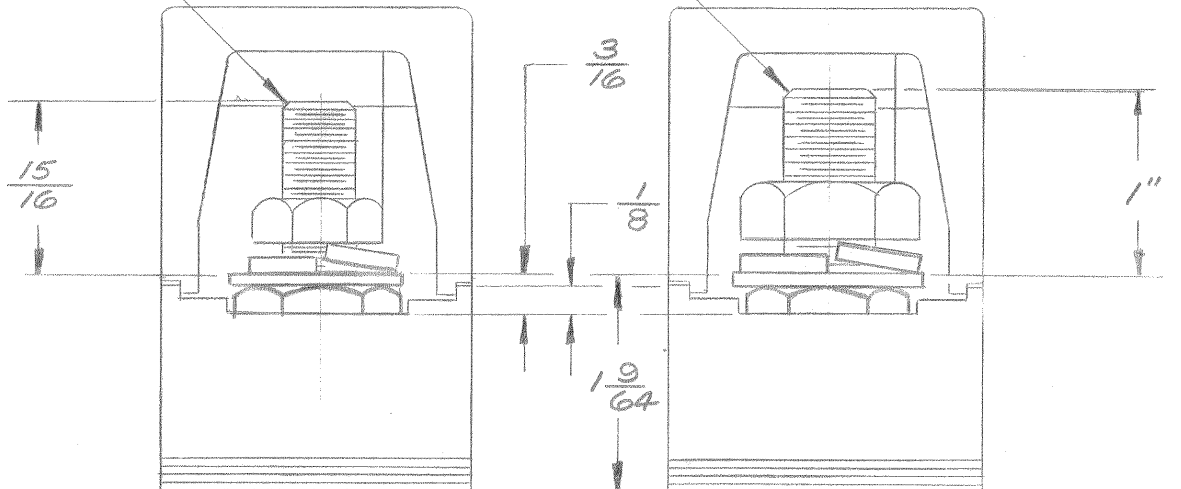


FIG #1

FIG #2

UNLESS OTHERWISE SPECIFIED DIMENSIONS ARE IN INCHES TOLERANCES ON FRACTIONS DECIMALS ANGLES
± 1/32 ± .015 -
SCALE FULL

TITLE ENVELOPE DRAWING FOR TYPE D7236 KLIXON OVERLOAD SENSING CONTROLS
METALS & CONTROLS, a division of Texas Instruments Incorporated., Attleboro, Mass.

BY J.D.MAYALL 4-15-60
CH.
APP. D.APALETON 9-21-60
DWG. SIZE B DWG. NO. 7236